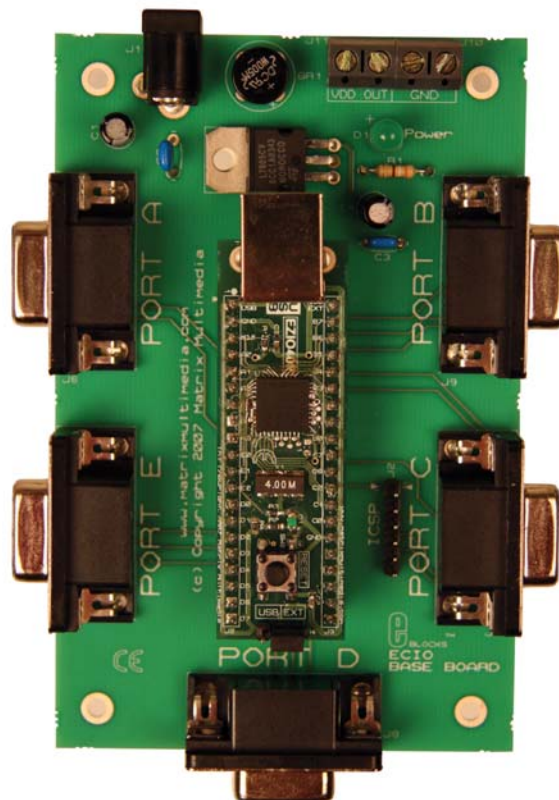


ECIO Base Board datasheet EB061-00-1



Contents

1.	About this document.....	2
2.	General information.....	3
3.	Board layout	4
4.	Circuit description	5

Appendix 1 Circuit diagram

1. About this document

This document concerns the E-blocks ECIO Base Board EB061 version 1.

The order code for this product is EB061.

1. **Trademarks and copyright**

PIC and PICmicro are registered trademarks of Arizona Microchip Inc.
E-blocks is a trademark of Matrix Multimedia Limited.

2. **Other sources of information**

There are various other documents and sources that you may find useful:

Getting started with E-Blocks.pdf

This describes the E-blocks system and how it can be used to develop complete systems for learning electronics and for PICmicro programming.

PPP Help file

This describes the PPP software and its functionality. PPP software is used for transferring hex code to a PICmicro microcontroller.

C and assembly strategies

This is available as a free download from our web site.

3. **Disclaimer**

The information in this document is correct at the time of going to press. Matrix Multimedia reserves the right to change specifications from time to time. This product is for development purposes only and should not be used for any life-critical application.

4. **Technical support**

If you have any problems operating this product then please refer to the troubleshooting section of this document first. You will find the latest software updates, FAQs and other information on our web site: www.matrixmultimedia.com . If you still have problems please email us at: support@matrixmultimedia.co.uk.

2. General information

1. *Description*

A simple platform for the ECIO to allow connections to standard E-Block boards. The board also provides an input for an external power supply as well as a header for in circuit serial programming (ICSP).

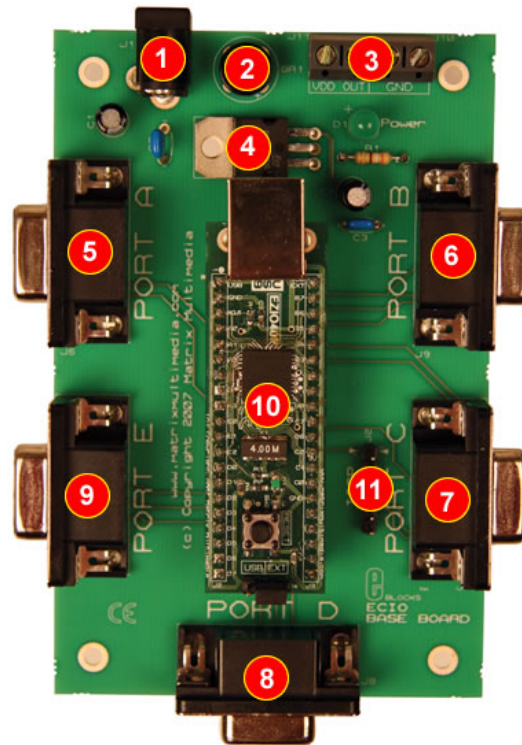
2. *Features*

- 5 connectors for E-blocks
- External Power Supply Input
- ICSP Interface

3. *Block schematic*

Not supplied.

3. Board layout



EB061-74-1.cdr

- 1) External power supply socket
- 2) Bridge Rectifier
- 3) Output power supply for E-Blocks and external hardware
- 4) 5V Voltage regulator
- 5) E-Block connector for PortA
- 6) E-Block connector for PortB
- 7) E-Block connector for PortC
- 8) E-Block connector for PortD
- 9) E-Block connector for PortE
- 10) ECIO connector socket (ECIO not included)
- 11) ICSP connector

4. Circuit description

1. *Description*

The circuit board consists of a means of connecting E-Blocks to the ECIO module. The circuit board also allows for a regulated external power supply to be connected to power the ECIO. The bridge rectifier allows for either polarity to be input from the external power supply. There is also a ICSP connector which allows for the ECIO to be fully reprogrammed.

Warning: If the ICSP connector is used to program the ECIO then the bootloader onboard the ECIO may be corrupted or overwritten. If this occurs then Matrix Multimedia holds no responsibility for the loss of bootloader and will not release the bootloader code.

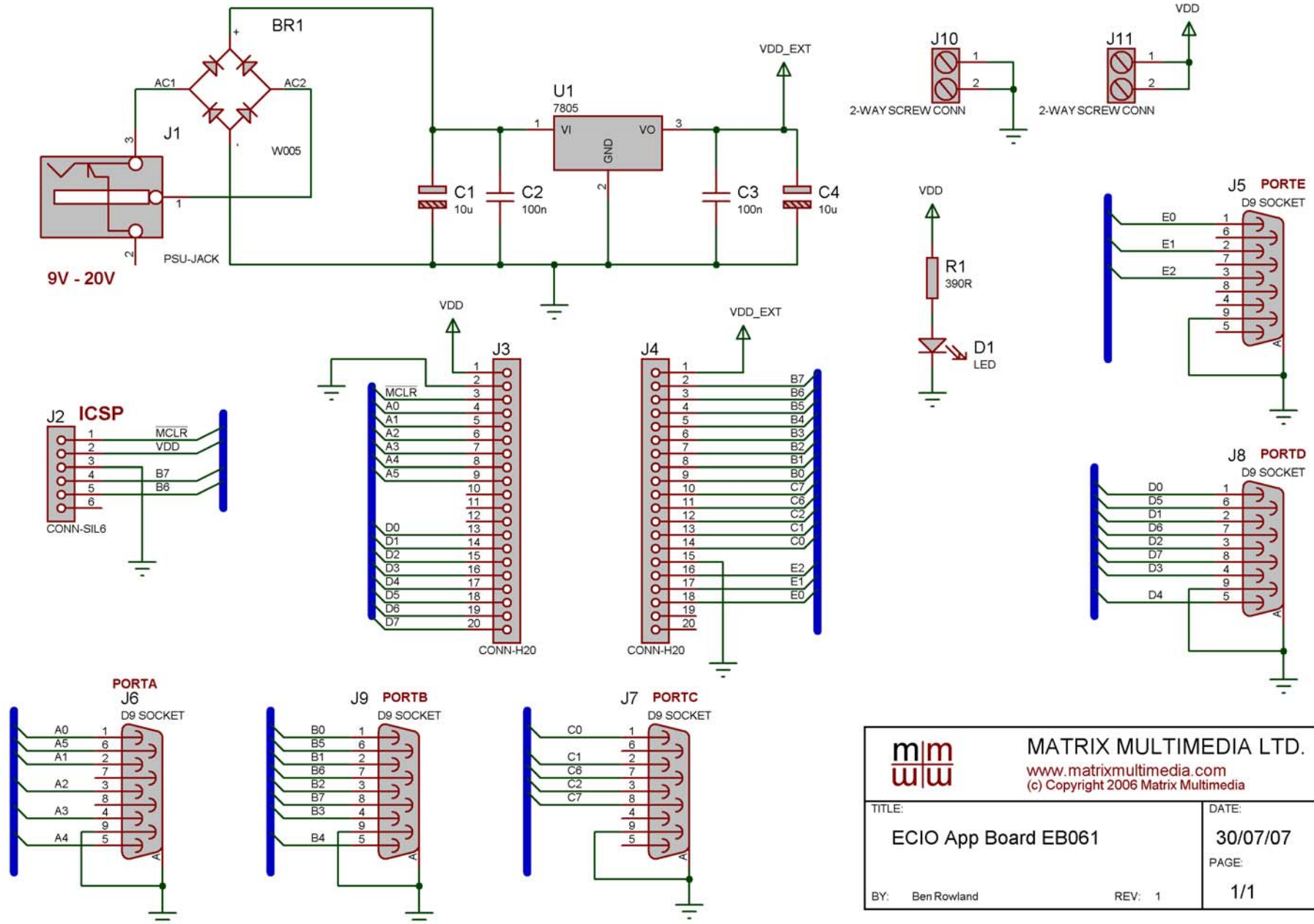
Any ECIO devices that have lost their bootloader can be returned to Matrix Multimedia to be restored but as charge will be incurred.


Contact sales@matrixmultimedia.co.uk for details.

2. *3.3V operation*

This board is not compatible with upstream boards operating off 3.3V.

Appendix 1 – Circuit diagram



 MATRIX MULTIMEDIA LTD. www.matrixmultimedia.com (c) Copyright 2006 Matrix Multimedia	
TITLE: ECIO App Board EB061	DATE: 30/07/07
BY: Ben Rowland	PAGE: 1/1
REV: 1	